



Specially designed for insect control at entrances to food factories, industrial applications, hospitals or clean zones.

High velocity air barrier to prevent flying insects from entering a building. Up to 3m height doors according to NSF 37 standard. Self-supporting casing construction made of galvanized steel plate, finished in structural epoxy-polyester painting white colour RAL9016 as standard. Other colours or stainless steel are available on request.

The large perforated inlet grille helps reduce maintenance requirements. Incorporates anodized aluminium outlet vanes, aerofoil shaped, adjustable from 0 to 15° each side to allow accurate control over direction of airflow. AC Double-inlet centrifugal fans driven by an external rotor motor with low noise level, very low power consumption and high efficiency fans. "A" type without heating, air only. Includes Plug & Play Hand Auto controller with 10m RJ45 cable and magnetic door contact.

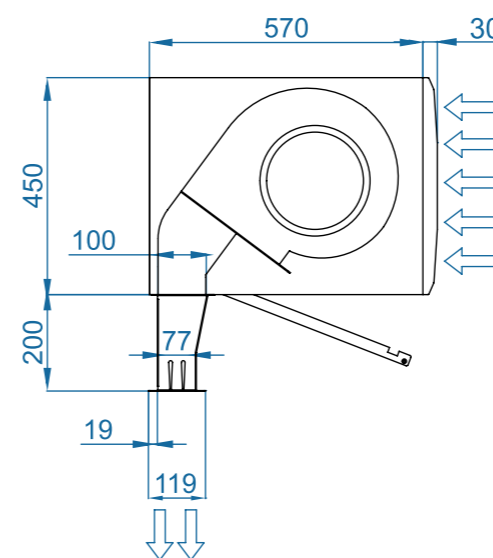
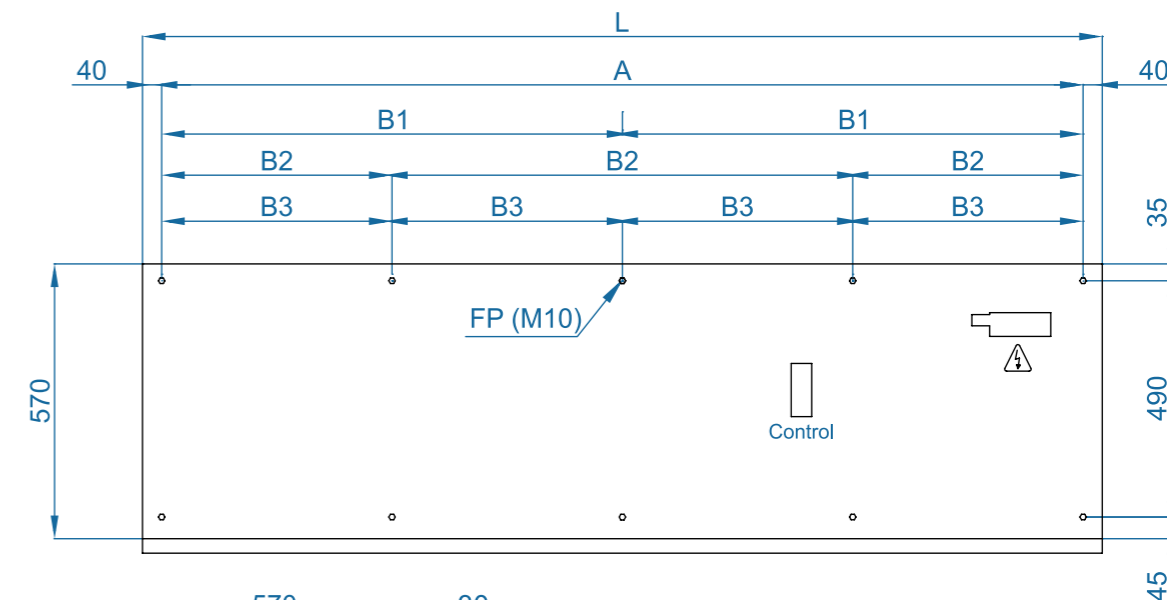
COLOURS AVAILABLE White RAL9016 (standard) Any RAL colour Stainless steel	MOUNTING OPTIONS Horizontal	MAX DOOR HEIGHT 3.0m	FAN OPTIONS AC fan	HEATING OPTIONS Air only	LENGTHS AVAILABLE 1.0m 2.5m 1.5m 3.0m 2.0m
---	---------------------------------------	--------------------------------	------------------------------	------------------------------------	--



Air only

Model	Max mounting height m	Airflow m³/h	Power/current fans kW/A	Noise level (@5m) dB(A)	Weight kg
FLY KL 1000 A	3	4000	1.04/4.40	63	76
FLY KL 1500 A	3	6000	1.56/6.60	64	114
FLY KL 2000 A	3	8000	2.08/8.80	65	153
FLY KL 2500 A	3	10000	2.60/11.00	66	187
FLY KL 3000 A	3	12000	3.12/13.20	67	225

Tested to Amca 220-05



L	FP	A	B1	B2	B3
1000	4	920	-	-	-
1500	6	1420	710	-	-
2000	6	1920	960	-	-
2500	8	2420	-	806.7	-
3000	10	2920	-	-	730

